

AEROPRAKT SERVICE BULLETIN

№ SB A22LS-20

CHECK OF A-22, A-22L, A-22LS AND A-22L2 AIRCRAFT HARNESS SYSTEM ELEMENTS FOR CORRECTNESS OF INSTALLATION

Repeating symbols:

Please, pay attention to the following symbols throughout this document marking important information.

- ▲ **WARNING:** Identifies an instruction, which if not followed may cause serious injury or even death.
- **CAUTION:** Denotes an instruction, which if not followed, may cause severe damage.
- ◆ **NOTE:** Information useful for better handling.

Release date: 24.12.2019

Effective date: 24.12.2019

Completion date:

Superseded notice: none

Model: A-22, A-22L, A-22LS, A-22L2

Serial number(s) affected: All aircraft with harness system buckles as shown on photo 1

1) Planning information**1.1) Aircraft affected**

Aeroprakt-22, Aeroprakt-22L, Aeroprakt-22LS and Aeroprakt-22L2 aircraft that have harness system with buckles as shown on photo 1

1.2) Reason

Incorrect placement of the buckles of the harness system.

1.3) Subject

Aircraft harness system.

1.4) Compliance

Inspection and check of the harness system for correct installation and, if necessary, elimination of non-compliance.

1.5) Approval

The technical content of this Service Bulletin has been approved by Aeroprakt.

1.6) Manpower

Estimated work: 0.5-3.0 man-hours.

1.7) Mass data

Mass change – none.

1.8) Revision of other documents

None.

1.9) Spare parts

The spare set of harness system belts is supplied by local dealer.

2) Spare parts information

The price of spare set: free of charge, excluding cost of delivery.



Photo 1

3) Accomplishment / Instructions

▲ **Not accomplishing this work may result in injuries or death of pilots.**

3.1) Check the harness belts for correct position with regard to the buckles. The correct position of the belt is shown on photo 2. Incorrect position of the belt is shown on photo 3.



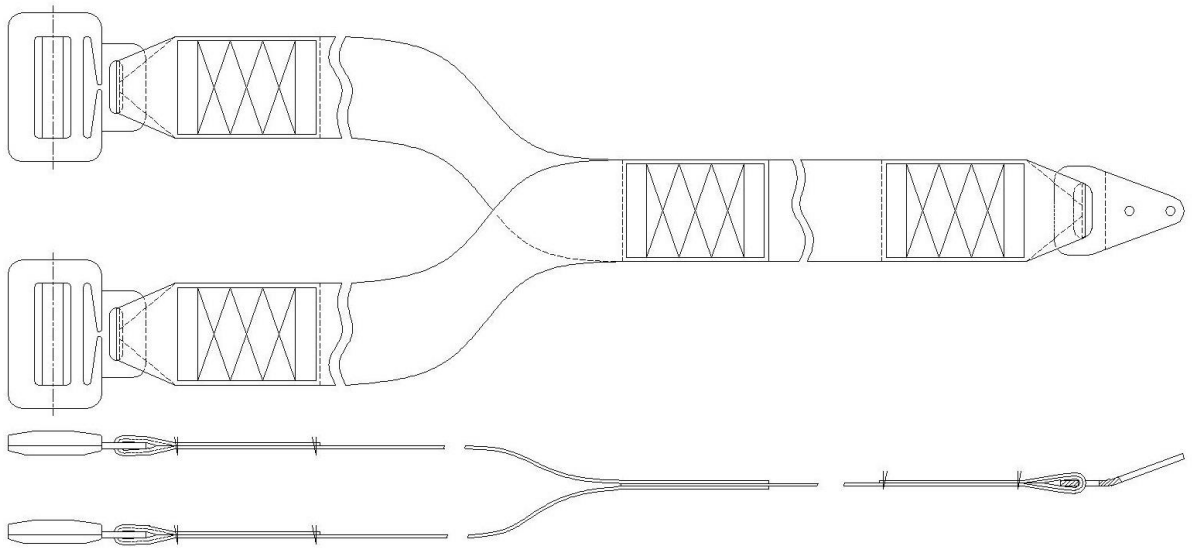
Photo 2

▲ The specific element of the buckle marked with arrows on photo 2 must be always directed away from pilot's body when the harness system is fastened.

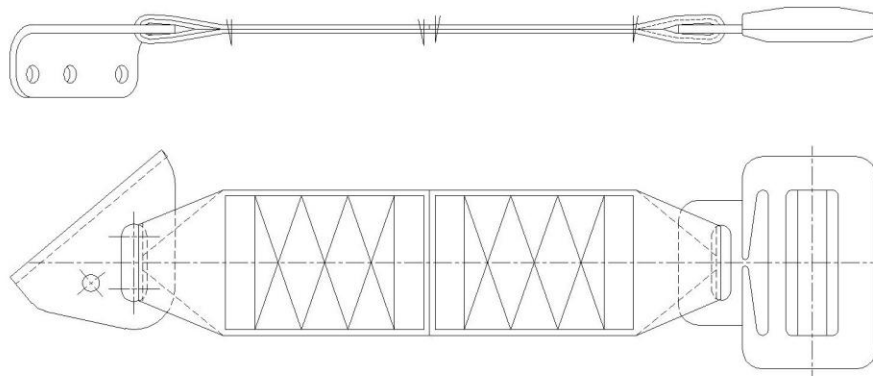


Photo 3

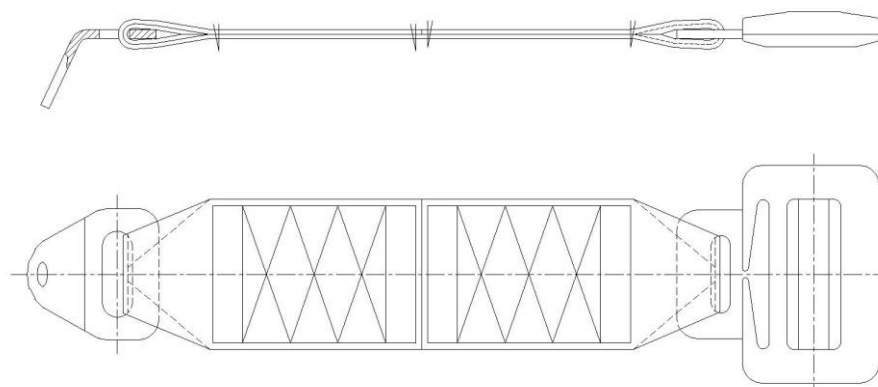
- 3.2) Check the harness belts assemblies for compliance with the drawings below. For the shoulder belts see drw. 4. For the waist belts of A-22LS and A-22L2 see photo 5. For the waist belts of A-22 and A-22L see drw. 6. For the three-point harness belts of A-22 and A-22L see drw. 7.



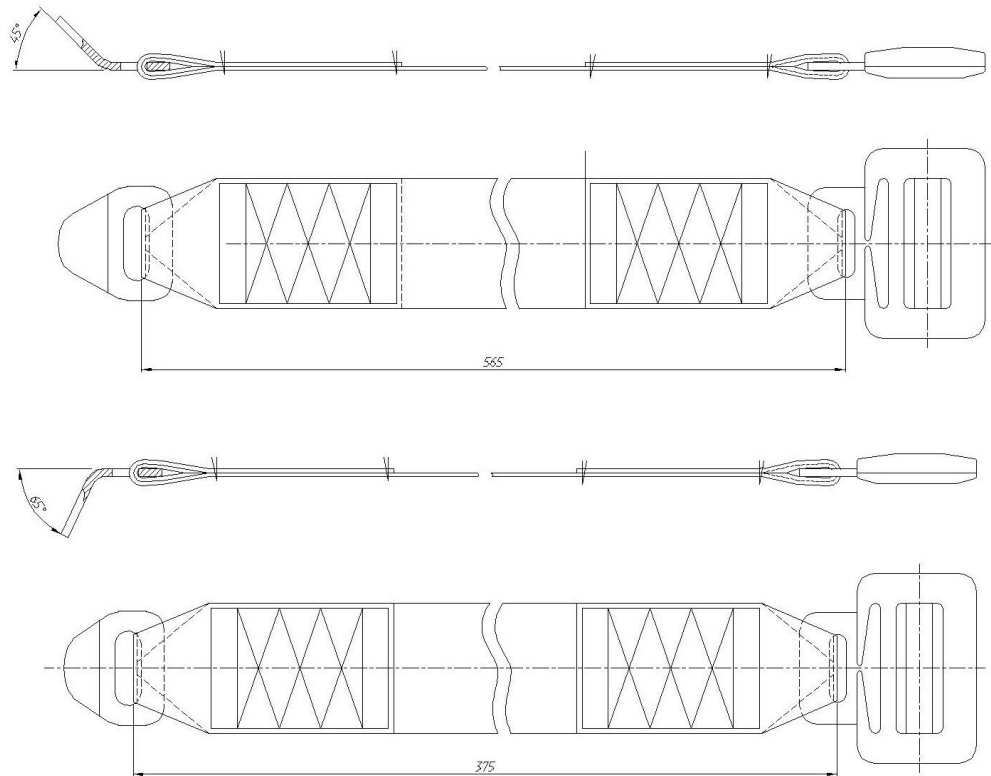
Drw. 4



Drw. 5



Drw. 6



Drw. 7

3.3) If the belts are sewn incorrectly they must be replaced. Contact your dealer for spare belts.

◆ Before ordering new belts, send photos of old belts.

3.4) Install new harness belts.