

AEROPRAKT
INFORMATION BULLETIN
REPLACEMENT OF THE FUSELAGE STRUT ATTACHMENT
FITTINGS OF A-22 AIRCRAFT
IB A-22-05

MANDATORY

Repeating symbols:

Please, pay attention to the following symbols throughout this document marking important information.

- ▲ **WARNING:** Identifies an instruction, which if not followed may cause serious injury or even death.
- **CAUTION:** Denotes an instruction, which if not followed, may cause severe damage.
- ◆ **NOTE:** Information useful for better handling.

1) Planning information

1.1) Aircraft affected

All versions of Aeroprakt-22 aircraft

1.2) Reason

The reason of the replacement of the strut attachment fittings is expired fatigue life.

1.3) Subject

Fuselage strut attachment fittings

1.4) Compliance

Replacement of the fuselage strut attachment fittings is to be carried out on the aircraft after 2000 flight hours

1.5) Approval

The technical content of this Information Bulletin has been approved by Aeroprakt

1.6) Manpower

Estimated man-hours:

Replacement of the fuselage strut attachment fittings can be performed within 2 or 3 hours

1.7) Mass data

None

1.8) Other publications affected

None

1.9) Spare parts

Spare parts are supplied upon request of aircraft owner

2) Replacement part information

2.1) Replacement part – cost and availability

The price of the new strut attachment fittings – 430 EUR including return delivery

2.2) Special tooling / materials

Wrench set, primer

3) Accomplishment / Instructions

3.1) Instructions

- 1) Remove the right and left wing, right and left wing struts.
- 2) Remove the fuselage strut attachment fittings (fig. 1) and send to Aeroprakt.

3.1.1) Replacement of the strut attachment fittings

- 1) Install the new strut attachment fittings to the same holes using old bolt (install bolts with primer) but new self-locking nuts.
- 2) Install the struts and wings.

◆ **NOTE:** The self-locking nuts are supplied with the new strut attachment fittings.

▲ **WARNING:** In case if the strut attachment fittings are not replaced in time they may fail causing corresponding consequences.

4) Appendix

The following drawing contain additional information

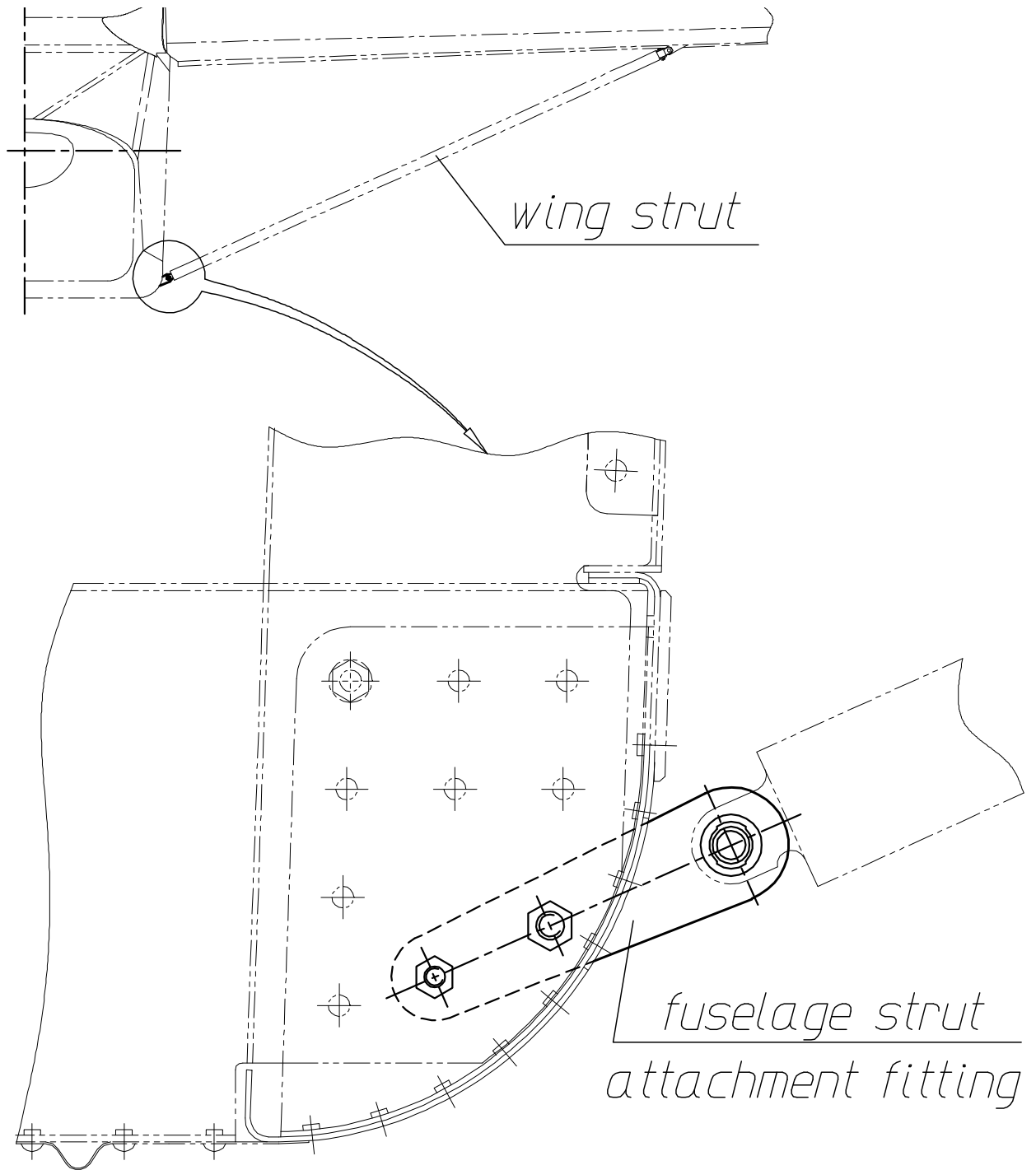


Fig. 1